

TENDER DOCUMENT FOR

Supply, Erection, Testing and Commissioning of Heavy Duty Pallet Racks for UHT storage Go-down at OMFED Dairy




THE ORISSA STATE CO-OPERATIVE MILK PRODUCERS' FEDERATION LTD.

Arilo - Govindpur, Barang, Odisha

Aug-2022

Cost: Rs.1000+18%GST

SECTION - I

 www.omfed.com	<p>The Orissa State Cooperative Milk Producers' Federation Ltd. D-2, SAHID NAGAR, BHUBANESWAR-751 007. Ph No- 2546030/2540273/2540417, 7783830953 Fax No (0674)2540974</p>
<p style="text-align: center;">TENDER CALL NOTICE</p> <p>OMFED invites sealed tenders (in two bid system) from experienced Manufacturers / Supply, Erection, Testing and Commissioning of Heavy Duty Pallet Racks for UHT storage Go-down at OMFED Dairy.</p> <p>Interested eligible bidder having experience of similar type of works may download tender document along with all other information from the OMFED website www.omfed.com from 24/08/2022 to 14/09/2022. The tender cost of Rs. 1,000/- + 18% GST in shape of Demand Draft in favor of OMFED drawn on any Nationalized Bank payable at Bhubaneswar, should reach at the above addressed office latest by dtd.14/09/2022 up to 14.00 hours. The Technical bid shall be opened on same date dtd. 14/09/2022 at 15.00 hours. The corrigendum / amendment to this notice if any shall be published only in the OMFED website www.omfed.com and will not be published again in the newspaper.</p> <p>Management reserves the right to accept or reject any or all the bid documents or part thereof without assigning any reason.</p> <p style="text-align: right;">Sd/- Managing Director OMFED</p>	

DETAILS

Tender for	Supply, Erection, Testing and Commissioning of Heavy Duty Pallet Racks for UHT storage Go-down at OMFED Dairy.
Reference No.	01:OD:UHT:22
Cost of Tender Form	Rs.1000/-+18%GST
Last date and time for submission of tender document	Dtd. 14/09/2022 till 14.00 hours.
Date & Time for opening of Tender	Dtd. 14/09/2022 till 15.00hours.
Contact Person	Mr. Mritunjay Kumar , Mo : 7783830953
Envelop–A	Technical documents with paper cost to be submitted.
Envelop–B	Financial bid to be submitted.
Address for communication	General Manager, OMFED DAIRY Odisha State Cooperative Milk Producers' Federation Ltd., Arilo-Govindpur , Cuttack – 754006. (Odisha) gmdo@omfed.com

Eligibility and Qualification requirements: -

- The bidder should have minimum Three years' experience in the related field like supplying of racks to various Industries like Dairy or related sectors etc.
- Annual Sales turn over should not to be less than 10 lakhs during the financial year 2019-20, 2020-21 & 2021-22.

TENDER SUBMISSION

The bid is to be submitted in two parts i.e. Part A: TECHNO-COMMERCIAL BID and Part-B: PRICE BID separately in 02 sealed envelopes duly super scribed as Techno commercial and Price Bid respectively. The aforesaid two envelopes should be put inside an Outer big size envelope duly sealed and this outer envelope again should be super scribed with words Techno- Commercial Bid & Price Bid against our Tender Enquiry and Due Date on and be addressed to:

**General Manager,
OMFED DAIRY
Arilo Govindpur , Barang ,
Cuttack, Odisha -754006
gmdo@omfed.com**

DOCUMENTS TO BE SUBMITTED IN THE TECHNICAL BID:

- Audited profit & loss account statement for the year 2019- 20, 2020-21 & 2021-22.
- Copy of IT return for the financial year 2019-20, 2020-21 & 2021-22.
- GST Number.
- Copy of GSTIN / PAN No.
- Credentials in support of execution of similar type of work during Two years.
- Cost of tender paper in shape of Demand Draft only.
- The original bidding document as downloaded by the bidder should be signed & sealed in each page by the bidder as a token of having read, understood & accepted the contents, therein.

DOCUMENTS TO BE SUBMITTED IN THE COMMERCIAL BID:

The bidder shall fill their offers as per given format given in this document & the rate shall include on FOR destination basis, inclusive of all taxes & duties, packing & forwarding charges, transportation, insurance and other incidental charges, loading & unloading charges & GST etc. as applicable.

DOCUMENTS TO BE SUBMITTED:

- Supply cost of High duty Pallet Racks.
- The rate shall include loading, unloading, freight, packing, forwarding, transit insurance, GST, all taxes & duties.

COMPLETION PERIOD:

- 45 days from the date of receipt of the order.

VALIDITY OF OFFER:

- Three months from the date of notification.

Payment terms:

1. 60% payment after safe arrival of material at site and 40% after successful commissioning of heavy duty racks at UHT Go down.
2. Payment shall be released within one month of submission of invoices in triplicate.
3. The bill shall be raised in the name of M/s OMFED DAIRY, Arilo-Govindpur, Cuttack – 754006. (Odisha).
4. All payments are subject to deduction of statutory dues as applicable.
5. Penalty @0.5 % of order value shall be imposed per week in case of delay in completion of work within the specified time subject to a maximum of 5% of the total value of work.

Technical Specification:

- (i) The heavy duty pallet rack should be made up of Mild Steel.
- (ii) Heavy duty pallets rack having G+2 level of load carrying capacity 2000 kg Each platform of rack should carry two pallets of total load 2 MT. There are no decking panels on each level.
- (iii) The rack should have length 2300 mm, width 1000 mm and height 1300 mm.
- (iv) Racks shall be used for storage of UHT milk cartons.
- (v) Our storage Go-down size is 35 Mtr(L)X12.5Mtr(W)X4.5Mtr(H).
- (vi) Chanel Size: 100 mm x 50 mm
- (vii) Angel Size: 75 mm x 40 mm x 8 mm.
- (viii) Load Beam is of 125 x 40 mm box type x 1.6 mm.
- (ix) Connector of load beam is of 3 mm thickness.
- (x) All material will be as per IS-5986 Grade.

Terms & Conditions:

1. Bidder should furnish their GST number in their offer.
2. Erase, over writing in the quotation should be strictly avoided and correction (if any) should be signed. Over Writing, Cutting, correction (if any) not attested may lead to cancellation of the quotation.
3. Party must specify the make, specifications and other parameters in their offer letter and must quote the rate – F.O.R. OMFED Dairy.
4. Party must specify tax structure in the quotation, if not mentioned it will have considered rate is inclusive of all taxes.

Name:

Sign:

Seal:

Contact No& Email Id:

Financial bid to be submitted.

Supply, Erection, Testing and Commissioning of Heavy Duty Pallet Racks for UHT storage Go-down at OMFED Dairy.									
SI. No	Description	Material	Specifications				Qty	Unit Price	Total Amount (Rs)
			Length (MM)	Width (MM)	Height (MM)				
1	Heavy duty pallets rack having G+2 levels of load carrying capacity is 2000 Kg. There is no decking panel on each level. Main Module:	Mild Steel (MS)	2300	1000	3800	8			
2	Heavy duty pallets rack having G+2 levels of load carrying capacity is 2000 Kg. There is no decking panel on each level. Add on Module:	Mild Steel (MS)	2300	1000	3800	40			
Total Cost									
GST @ 18.0%									
Transportation Charges									
Grand Total									

In Words (.....)

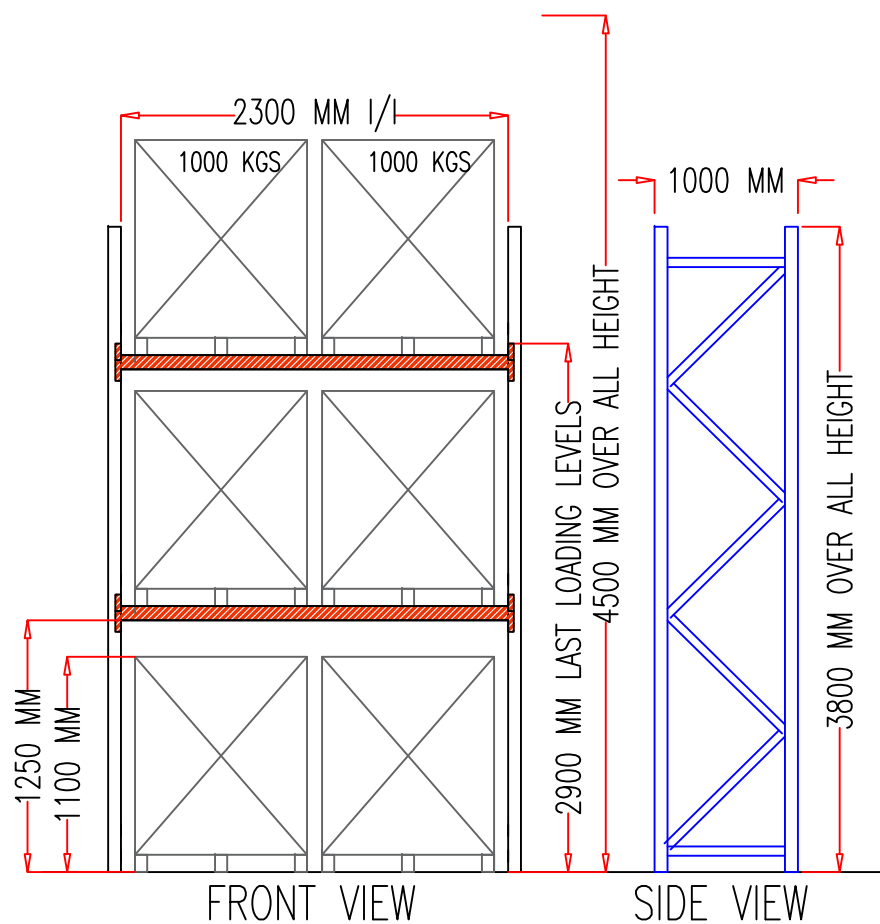
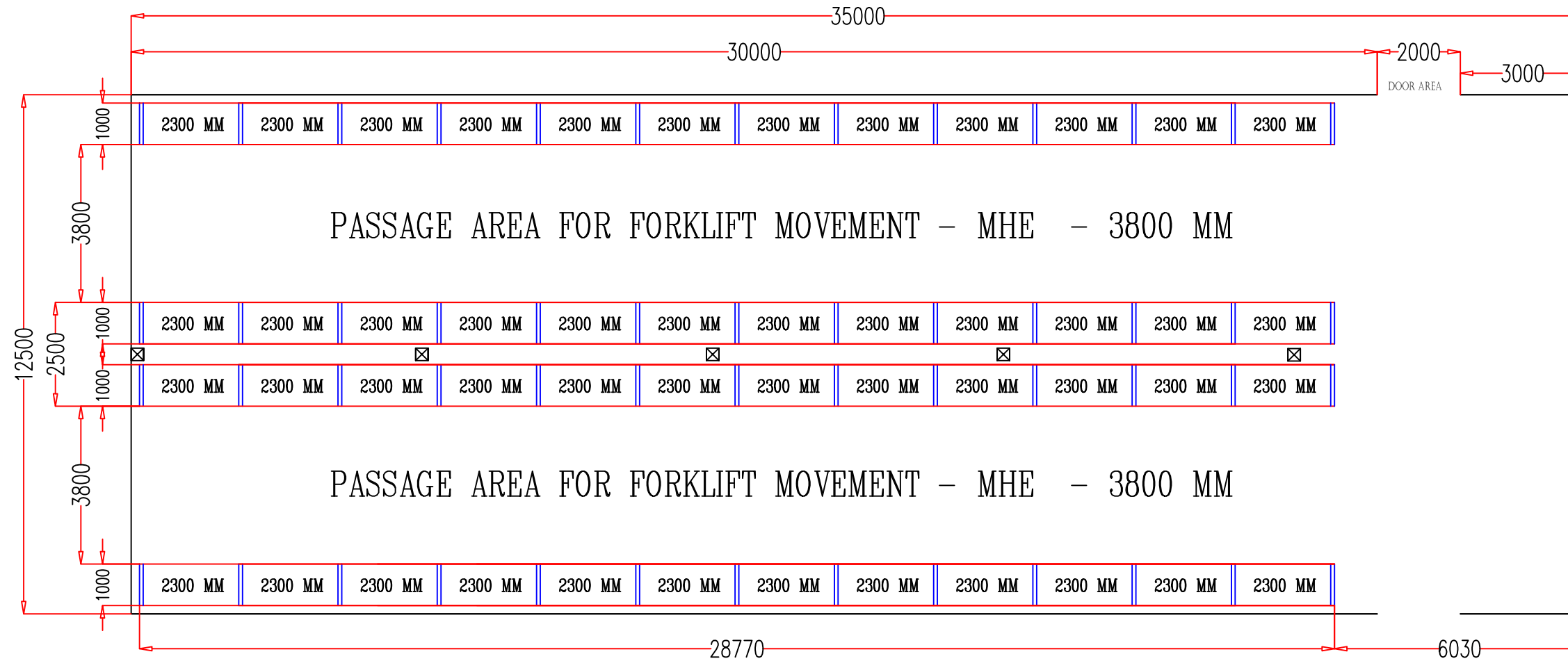
Name of the bidder.....

Mob No.....

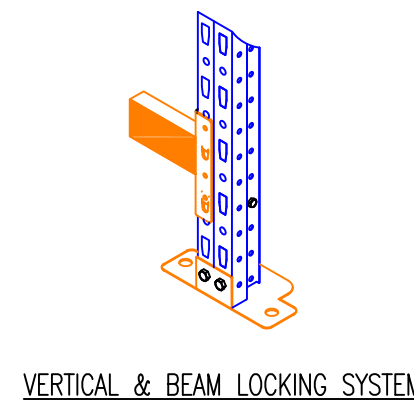
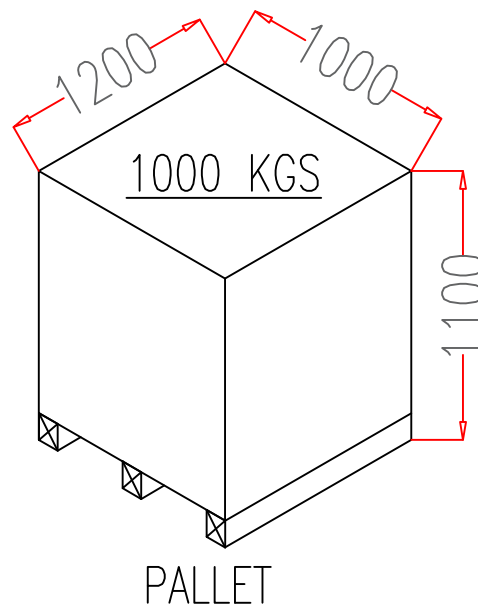
Address.....

Seal of Company

LAYOUT FOR HEAVY DUTY PALLET RACKING SYSTEM



MAIN : 8 RACKS
 ADD-ON : **40** RACKS
 PALLET SIZE : 1000 MM L X 1200 MM W X 1100 MM H
 TOTAL NUMBERS OF RACKS IN THE LAYOUT : **48** RACKS
 RACK SIZE : 2300 MM L X 1000 MM W X 3800 MM H
 TOTAL LEVELS G + 2 LEVEL (6 PALLET PER RACK)
 LOADING CAPACITY PER LEVEL : 2000 KGS UDL.
 TOAL PALLET - **288** PALLET



VERTICAL & BEAM LOCKING SYSTEM